

Fig. 1

www.4mat.com

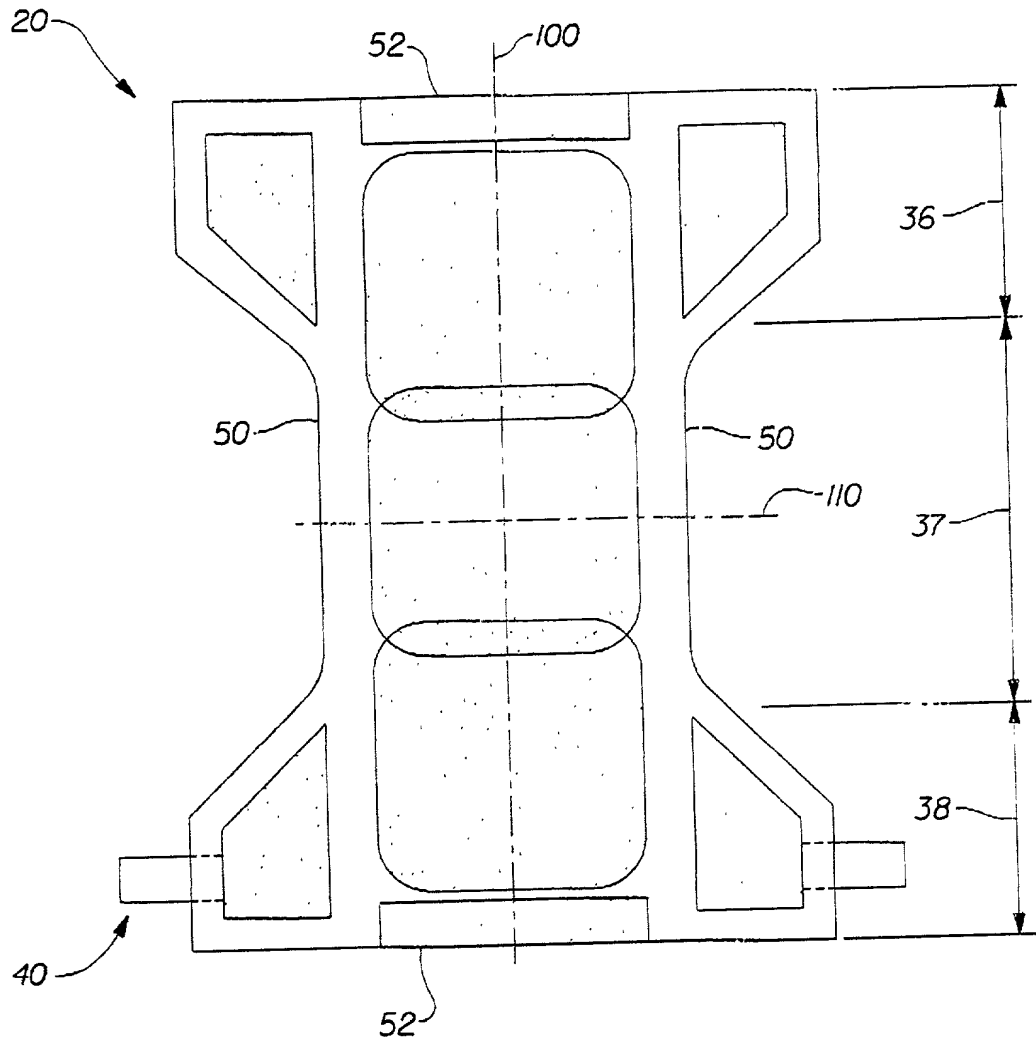


Fig. 2

3/4

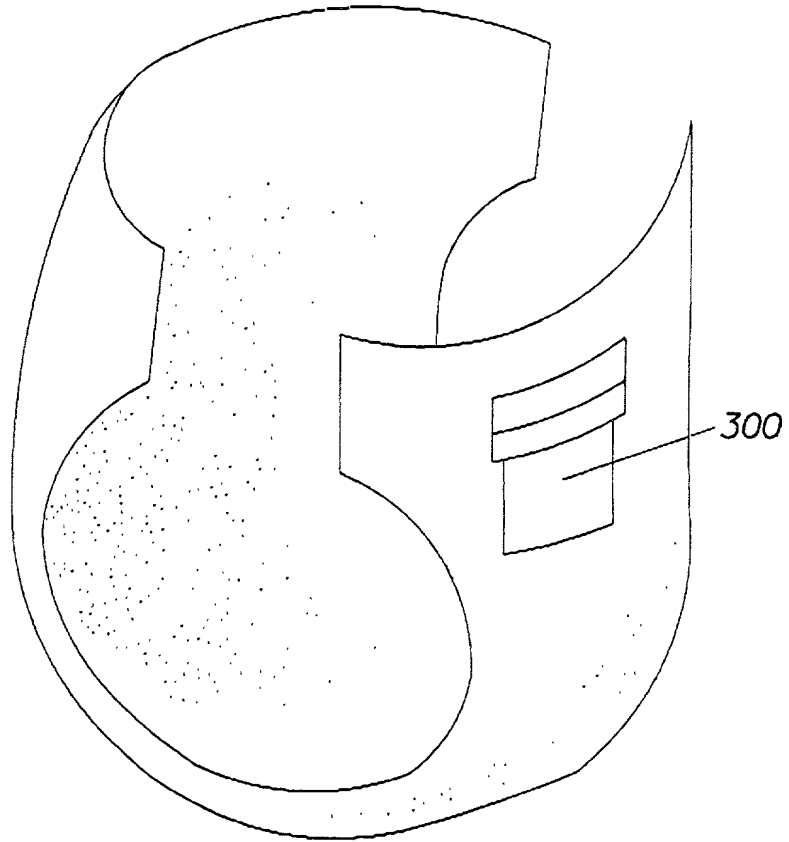
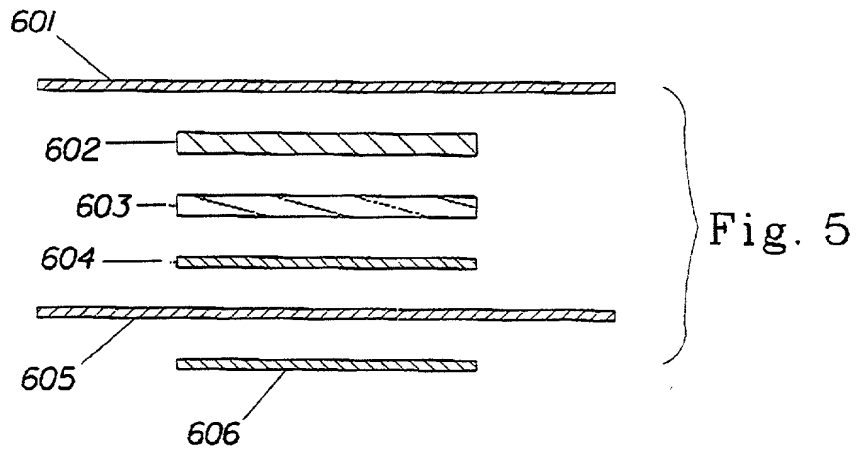
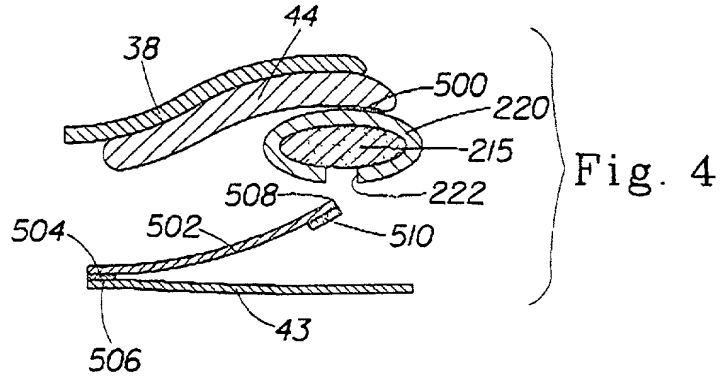


Fig. 3

www.3dmodel.com



www.4mat.com